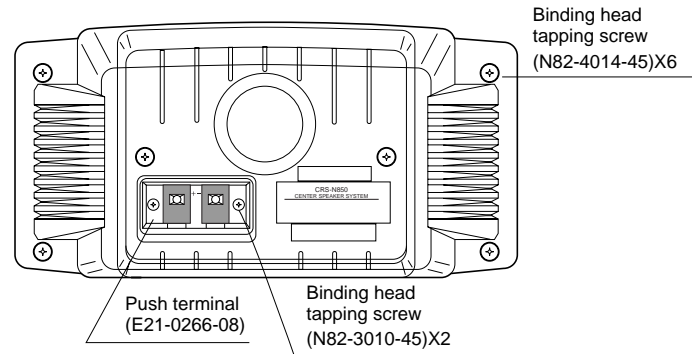
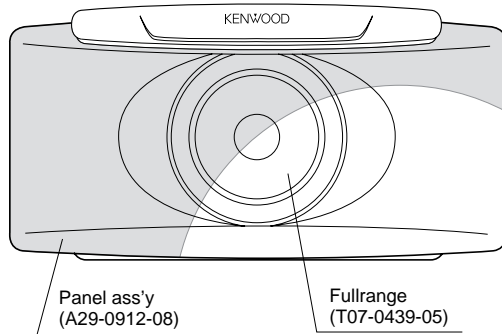


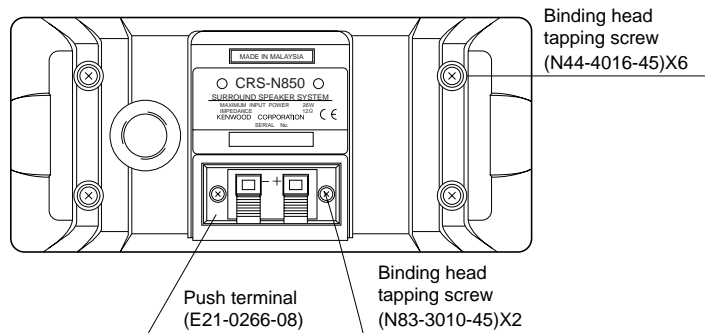
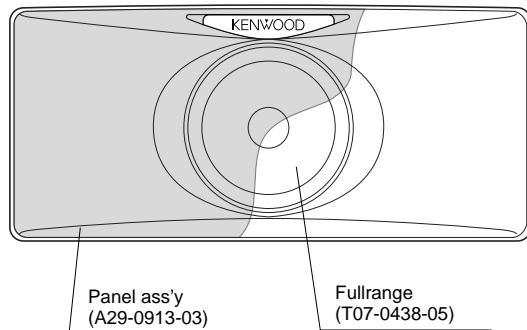
CRS-N850

SERVICE MANUAL

EXTERNAL VIEW CENTER SPEAKER



REAR SPEAKER



SPECIFICATIONS

CENTER SPEAKER

System	Fullrange speaker system	Fullrange speaker system
Enclosure	Bass-reflex, Book-shelf type	Bass-reflex, Book-shelf type
Loudspeaker	Fullrange 100 mm (4") Cone type	Fullrange 80 mm (3") Cone type
Nominal Impedance	6Ω	12Ω
Maximum Input Power	50W	25W
Rated Input Power	25W	12.5W
Sensitivity	83dB/W at 1m	83dB/W at 1m
Frequency Response	85 Hz ~ 20,000 Hz	100 Hz ~ 20,000 Hz
Dimensions	W:260mm (10-1/4")	215mm (8-7/16")
	H:135mm (5-5/16")	100mm (3-15/16")
	D:180mm (7-1/16")	110mm (4-5/16")
Net Weight	1.4kg (3.1lbs)	0.67kg (1.48 lbs)

REAR SPEAKER

Note:

KENWOOD follows a policy of continuous advancements in development. For this reason specifications may be changed without notice.

CRS-N850

PARTS LIST

PARTS LIST

* New Parts

Parts without **Parts No.** are not supplied.

Les articles non mentionnes dans le **Parts No.** ne sont pas fournis.

Teile ohne **Parts No.** werden nicht geliefert.

Ref. No.	Address	New Parts	Parts No.	Description	Destination	Remarks
CRS-N850 (V Type only)						
-		*	E30-5429-05	SPEAKER CORD	B	
-		*	E30-5430-05	SPEAKER CORD	B	
-		*	G13-1136-05	CUSHION	B	
-		*	H10-6492-02	POLYSTYRENE FOAMED FIXTURE	B	
-		*	H10-6493-02	POLYSTYRENE FOAMED FIXTURE	B	
-		*	H21-1291-05	PROTECTION SHEET	B	
-		*	H51-1080-04	ITEM CARTON CASE	B	
-		*	J21-8748-05	MOUNTING HARDWARE	B	
CRS-N850 (KMXIH Type)						
-		*	E30-5417-08	SPEAKER CORD	J	
-		*	E30-5418-08	SPEAKER CORD	J	
-			G13-1107-08	CUSHION	J	
-		*	H10-6494-08	POLYSTYRENE FOAMED FIXTURE	J	
-		*	H10-6495-08	POLYSTYRENE FOAMED FIXTURE	J	
-		*	H13-1825-08	CARTON BOARD	J	
-		*	H21-1292-08	PROTECTION SHEET	J	
-		*	H21-1293-08	PROTECTION SHEET	J	
-			J29-0248-08	MOUNTING HARDWARE	J	
CENTER SPEAKER						
-		*	A29-0912-08	PANEL ASSY	J	
-			E21-0266-08	PUSH TERMINAL	J	
SP1		*	T07-0439-05	FULLRANGE	J	
REAR SPEAKER						
-		*	A29-0913-03	PANEL ASSY	J	
-			E21-0266-08	PUSH TERMINAL	J	
-		*	J30-0952-08	SPACER	J	
SP2		*	T07-0438-05	FULLRANGE	J	

L:Scandinavia K:USA P:Canada R:Mexico
 Y:PX(Far East, Hawaii) T:England E:Europe G:Germany
 Y:AAFES(Europe) X:Australia M:Other Areas

J : JAPAN SUPPLY

KENWOOD CORPORATION

14-6, Dogenzaka 1-chome, Shibuya-ku, Tokyo, 150 Japan